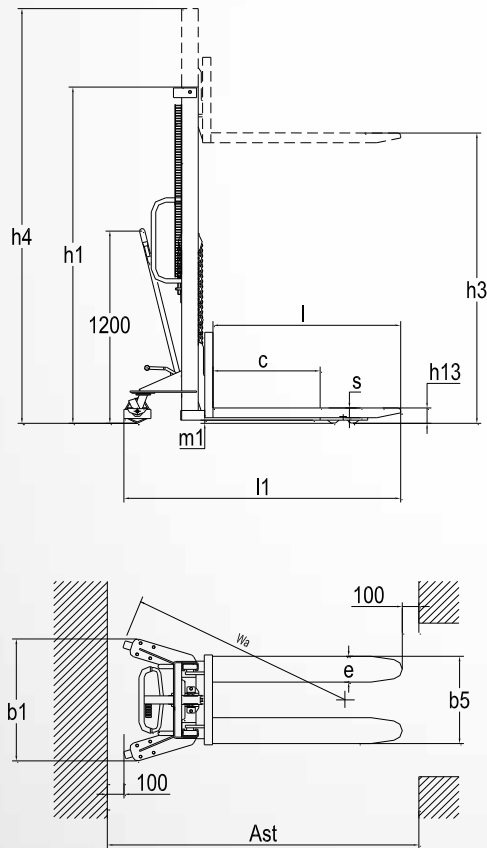




STAUNCH
MACHINERY
SINCE 1979

STAUNCH Manual Stacker SDJ1000



Technical Data

Model No.	SDJ1000	
Load capacity/rated load	Q(kg)	1000
Load center distance	c(mm)	600
Fork height,lowered	h13(mm)	90
Height, mast lowered	h1(mm)	2080
Max. lift height	h3(mm)	1600
Height, mast extended	h4(mm)	Single mast
Overall length	l1(mm)	1655
Overall width	b1(mm)	755
Fork dimensions	s/e/l(mm)	61x170x1100(1150.1200)
Distance between fork-arm	b5(mm)	550
Turning radius	Wa(mm)	1380
Lift speed, laden/unladen	mm/times	25
Lowering speed, laden/unladen	mm/s	Controlled type
Noise level	dB	<70